

# W360 Interior Landscape / Aquascape Light

## 80W LED / 55°



### ORDERING GUIDE

CXW360B -  -  -  -  -

#### Spectrum

AMZ Amazon Sun (4000 - 6500K)  
TB Tuna Blue (10000 - 20000K)

#### Finish

WH White  
BK Black

#### Mount

TOX w/ O-type DMX Track Adapter  
TON w/ O-type Non-DMX Track Adapter  
CLP w/ Clamp Mount  
TG w/ G-type Track Adapter  
TEX w/ E-type DMX Track Adapter

Legacy product

#### Power Supply & Control

PS Power Supply  
US EU  
PSX Power Supply w/ DMX  
(compatible with TOX/TEX mount)  
US EU

#### Plug/Connection

US US 120V  
EU EU 220V

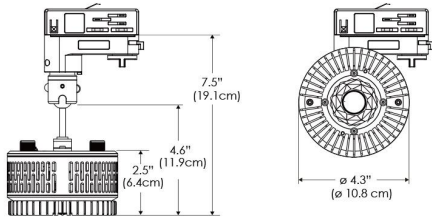
### SPECIFICATIONS

Beam Angle	55°
Spectrum Type	AMZ : Plant Flourish & Growth
	TB : Coral Health & Growth
Control	Intensity (0% - 100%), CCT
LED Source	DiCon Dense Matrix LED
Power Draw	80W max
AC Input Voltage	100 - 240V AC, 60Hz
Cooling	Fan Cooled
Operating Temperature	32 - 104°F (0 - 40°C)
Fixture Weight	1.1lb (~0.5kg)
Power Supply Weight	1.0lb (~0.4kg)

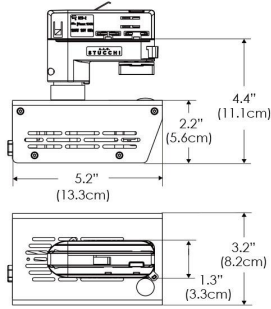
- Plant / Coral Focused Light Spectrum
- High-Intensity Point Source LED
- Low-Profile
- DMX Controllable
- Also Available with Other Optics

# MECHANICAL FIGURES

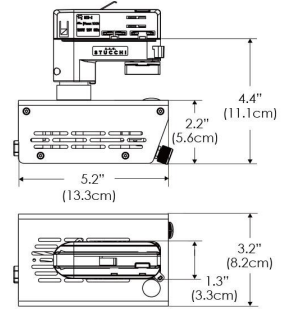
**W360B-TOX/TON**



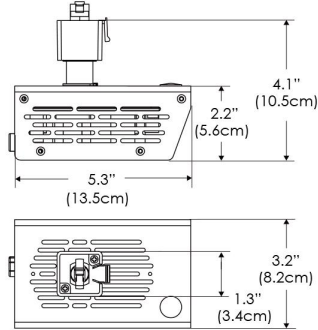
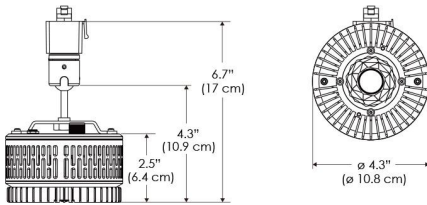
**PS**



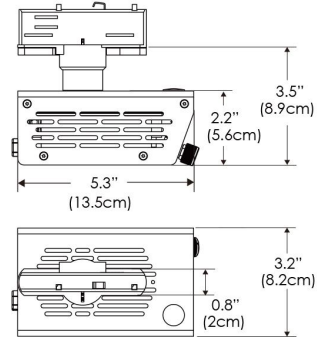
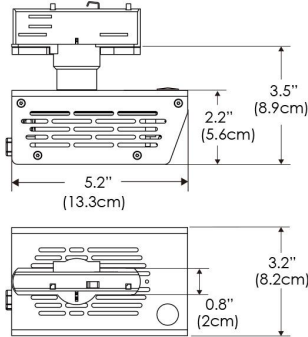
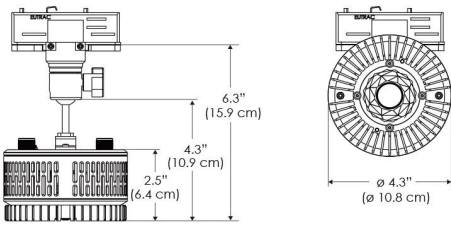
**PSX**



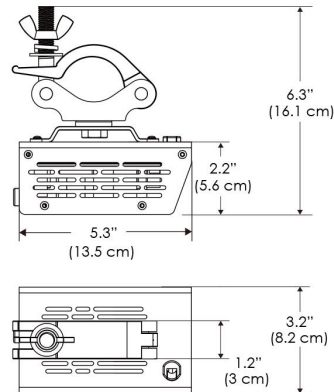
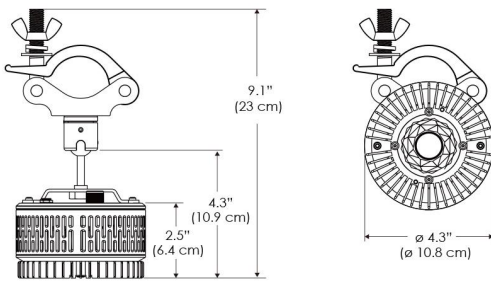
**W360B-TG**



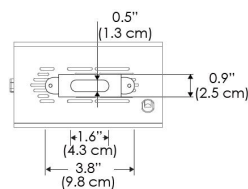
**W360B-TEX**



**W360B-CLP**



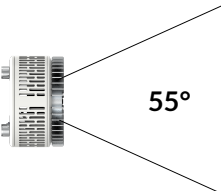
**Mounting Bracket Dimensions ALL-CLP**



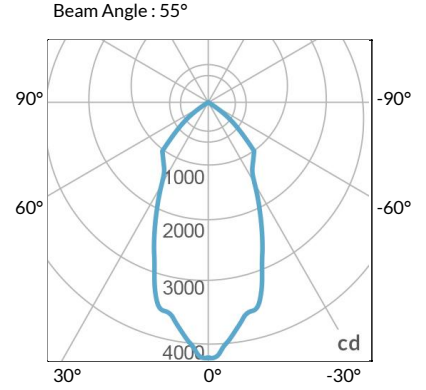
\*All -CLP configuration models come with standard DC cables of 6 inches and AC cables of 10 ft.

**PHOTOMETRIC DATA**

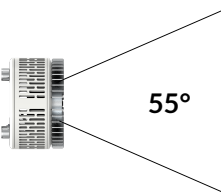
**AMZ**



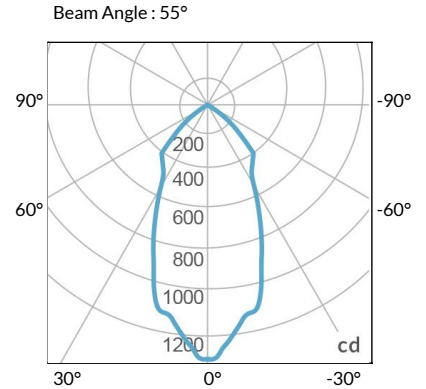
Distance		3' (~0.9 m)	5' (~1.5 m)	10' (~3.0 m)
@4000K	fc	465	237	47
	lux	4998	2548	500
@6500K	fc	470	240	48
	lux	5059	2579	506
Beam Diameter		Ø 2.3' (0.7m)	Ø 3.8' (1.2m)	Ø 7.6' (2.3m)



**TB**



Distance		3' (~0.9 m)	5' (~1.5 m)	10' (~3.0 m)
@10000K	fc	276	100	27
	lux	2965	1067	286
@20000K	fc	51	20	10
	lux	544	213	104
Beam Diameter		Ø 2.3' (0.7m)	Ø 3.8' (1.2m)	Ø 7.6' (2.3m)



**DMX FOOTPRINT**

Amazon Sun		
Channel	1	Intensity
	2	CCT (4000-6500k)

Tuna Blue		
Channel	1	Intensity
	2	CCT (10000-20000k)
	3	Violet
	4	Red
	5	Green